

# SCOTSMAN


HOTEL/MOTEL ICE CUBE DISPENSER

## HD356



CME506 shown on HD356BS

### Storage Capacity

 Certified & rated in accordance with ARI standard 820-95	lbs./kg.
HD356	190/86

### YOU'LL VALUE OUR GUEST-FRIENDLY DISPENSERS

- Innovative multi-scoop rotor reduces melting and speeds dispensing.
- Three times stronger shaft and gears.
- Larger push button.
- Completely sanitary cube dispensing meets all standards of local and health agencies and provides built-in portion control.
- Easy to clean seamless storage bin.
- Stainless steel exterior.
- Great companion with CM<sup>3</sup> 30" Modular Cubers CME256, 506,656.

### WARRANTY *See your dealer for complete warranty details.*

- 3 years parts and labor on all components.
- Limited lifetime Rust-Free Parts Warranty on Food Zone.



EXTRA LARGE  
BUTTON.



Scotsman is proud to announce that we are ISO-9001:2000 Certified

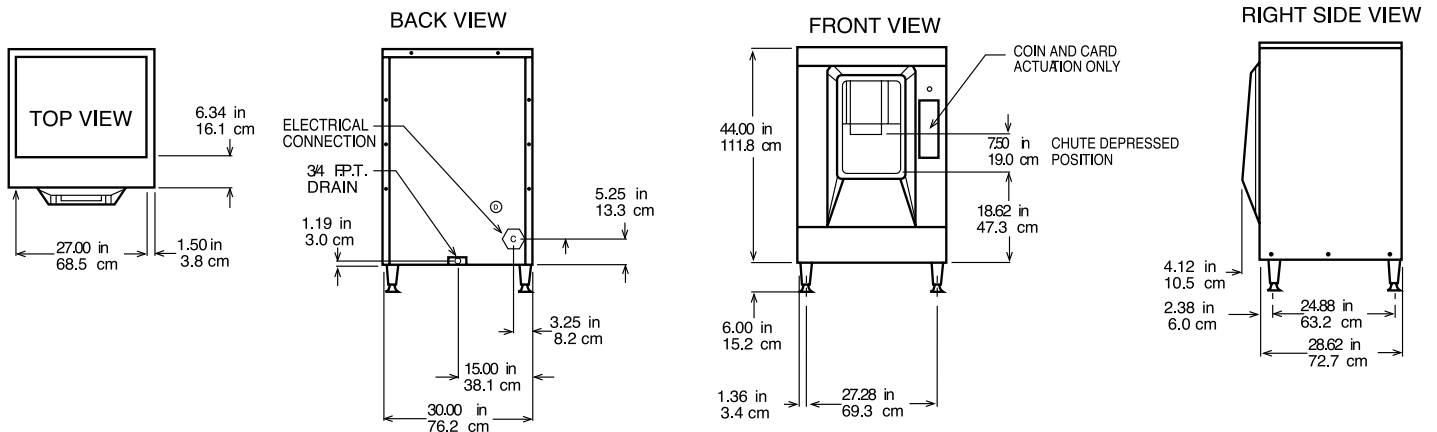
This product qualifies for the following listings:



Rated in accordance with ARI standard 820-95

 **Scotsman**<sup>®</sup>

# Hotel Dispenser Specifications



INSTALLATION NOTE: Allow 6" minimum space at back and sides for ventilation and utility connections.

All models: Dimensions: W x D x H without legs (add 6" for legs) Unit: 30" x 32 1/4" x 44" Shipping Carton: 36 1/2" x 33 1/2" x 49"

Model Number	Actuation	ARI Bin Capacity lb./kg.	Basic Electrical Volts/Hz/Phase	No. of Wires	Min. Circuit Ampacity	Max. Fuse Size	Shipping Weight lbs./kg.
HD356BS-1A	Push Button	190/86	115/60/1	2	2.5	15	235/107
HD356NS-1A	25¢ Coin or Token	190/86	115/60/1	2	2.5	15	235/107
HD356CS-1A	Room Card	190/86	115/60/1	2	2.5	15	235/107

Stainless Steel finish with polyethylene liner.

#### OPTIONS:

KTOKN: 500 tokens for use with HD356NE or HD356NS, 984" diameter.

KPCCD200: vend portion kit reduces vend portion to 3/4 lb. from 1-3/4" lbs.

Scotsman's ice machines are not designed for outdoor installations. Scotsman remote condensers are designed for outdoor installations.

Machine requires voltage indicated on rating name plate. Failures caused by improper voltage are not considered factory defects. Extended periods of operation at temperatures exceeding limitations constitutes misuse under the terms of Scotsman Manufacturer's Limited Warranty, resulting in a loss of warranty coverage. Specifications and design are subject to change without notice.

Consult Your Local SCOTSMAN Representative At:

#### IMPORTANT OPERATING REQUIREMENTS:

	Minimum	Maximum
Air Temperatures	50°F (10°C)	100°F (37.7°C)
Water Temperatures	40°F (4.4°C)	100°F (37.7°C)
Remote Cond. Temps	-20°F (-28.9°C)	120°F (48.9°C)
Water Pressures	20 PSIG	120 PSIG
Electrical Voltage	-5%	+10%

**YOU'LL VALUE THE DIFFERENCE™**

775 Corporate Woods Parkway • Vernon Hills, IL 60061 • 1-800-SCOTSMAN • Fax: (847) 913-9844  
 Visit our website at: [www.scotsman-ice.com](http://www.scotsman-ice.com) • E-mail: [customer.service@scotsman-ice.com](mailto:customer.service@scotsman-ice.com)

 **Scotsman®**